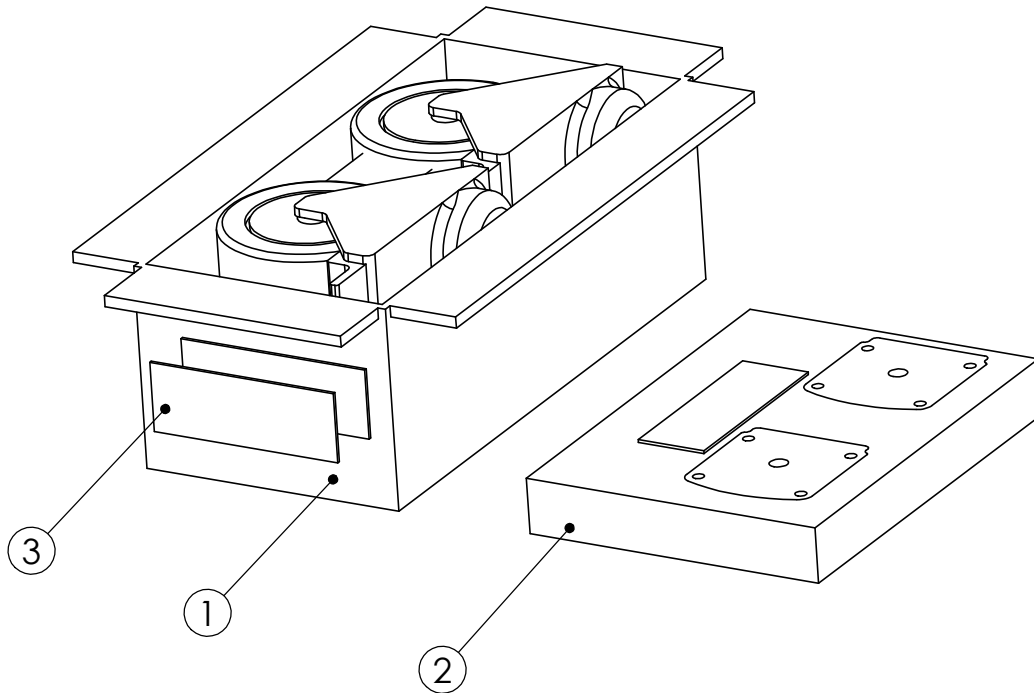


ITEM NO.	QTY.	PART NO.	REVISION	DESCRIPTION	DIN-ISO	REMARKS
1	1	114890	2	Castor set, 501-19, packed		
2	1	148400	0	Castor adaptor kit, 501-33 series		
3	1	311860	8	ID label		



*** Label specification

Template	311860
No. on label	501-XX HXXX
Description	Castor kit
Bar code	5 704142 149072
Size, label	70x25mm

Pos. 2 placed into box of Pos. 1

Pos. 3 label placed on top of label already on Pos. 1

DO NOT SCALE DRAWING SHEET 1 OF 1		WEIGHT:		ConSet A/S Industrivej 23 DK-6900 Skjern Denmark www.conset.com
UNLESS OTHERWISE SPECIFIED: DIMENSIONS ARE IN MILLIMETERS TOLERANCES: LINEAR: According to ANGULAR: DIN 7168-m		NAME	DATE	
PROPRIETARY AND CONFIDENTIAL THE INFORMATION CONTAINED IN THIS DRAWING IS THE SOLE PROPERTY OF CONSET A/S. ANY REPRODUCTION IN PART OR AS A WHOLE WITHOUT THE WRITTEN PERMISSION OF CONSET A/S IS PROHIBITED.		DRAWN	jo	20-12-2018
		CHECKED		
		Processes:		TITLE: Castor kit packed
		packing labelling		
		Remarks:		DWG NO. 149070
				REVISION 0